



THERM-OMEGA-TECH

ISO 9001 CERTIFIED

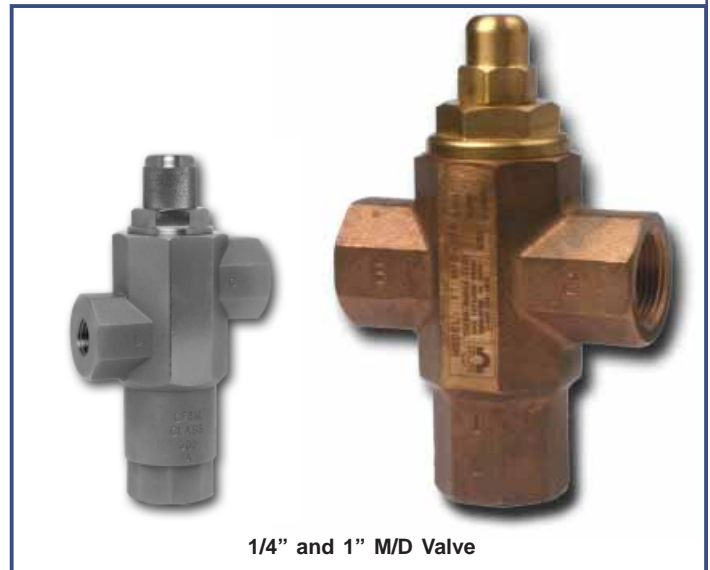
1/4", 1/2" & 1" M/D VALVE

TEMPERING, MIXING AND DIVERTING

FREEZE PROBLEMS?
CALL THE GURU 1-877-FRZ-VALVE

TYPICAL APPLICATIONS

- ◆ Cooling water control-Radiator
- ◆ Cooling water control-Heat Exchanger
- ◆ Hydraulic fluid cooling systems
- ◆ Direct cooling with raw water
- ◆ Lube oil cooling control
- ◆ Constant temperature baths, wash basins & sinks
- ◆ Loop-type circulation systems
- ◆ Direct injection water heating
- ◆ Hot water washdown stations
- ◆ Make-up water
- ◆ Electric system cooling
- ◆ Air conditioning
- ◆ Water conservation



1/4" and 1" M/D Valve

OPERATION

The **Therm-Omega-Tech Model M/D** temperature control valve is designed for 3-way mixing or diverting applications. For fast response, the valve is compact and low mass. **Therm-Omega-Tech's** valves are designed around our exclusive Thermoloid sensor/controller that automatically and accurately proportions the flow in response to fluid temperature. The Thermoloid sensor/controller is the most advanced and reliable thermal actuator of its type available today.

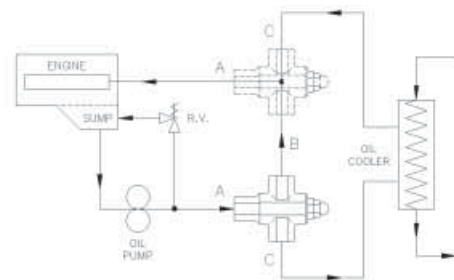
For mixing applications, the Model **M/D** will proportion the flow from two inlet ports to produce the desired outlet port temperature.

For diverting applications, the Model **M/D** will divert or switch the inlet flow to either of two outlet ports depending on the fluid temperature.

SAMPLE APPLICATIONS

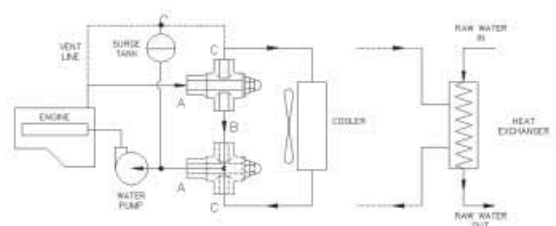
LUBE OIL CONTROL

Valve shown in "diverting" position to control oil sump temperature. In dotted position, valve will "mix" to control oil temperature to bearings or manifold.



COOLING WATER CONTROL USING RADIATOR OR HEAT EXCHANGER

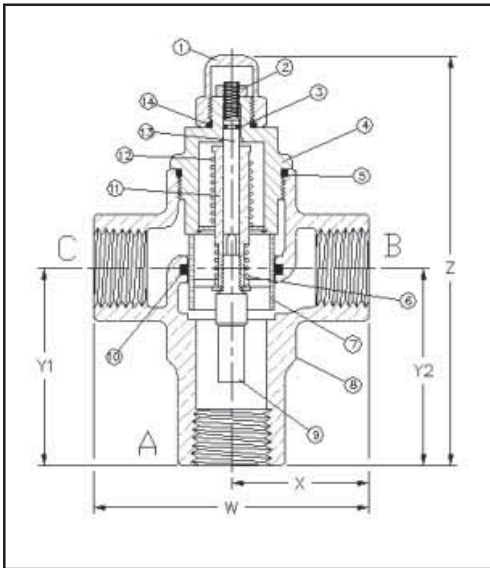
Valve shown in "diverting" position to control outlet temperature. In dotted position, valve will "mix" to control inlet water to engine.



1/4, 1/2 and 1" NPT M/D VALVE

TEMPERING, MIXING AND DIVERTING

PARTS AND MATERIALS



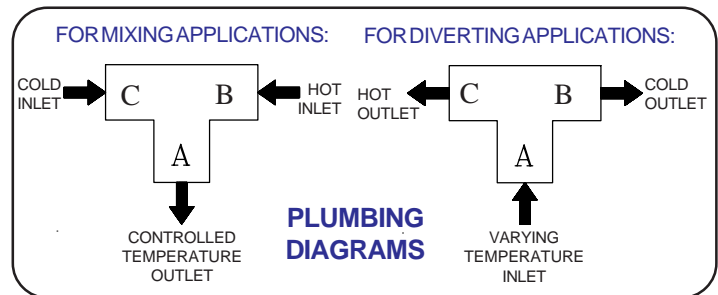
ITEM	DESCRIPTIONS	MATERIAL
1	CALIBRATION SCREW CAPNUT	BRASS or SS
2	CALIBRATION SCREW LOCKNUT	300 Series SS
3	CALIBRATION STEM SEAL	See note 1
4	CAP	BRASS or SS
5	CAP SEAL	See note 1
6	OVERTRAVEL SPRING	300 Series SS
7	SPOOL	300 Series SS
8	BODY	BRONZE or SS
9	THERMALCUTATOR	300 Series SS
10	SPOOL SEAL	See note 1
11	GUIDE	BRASS or SS
12	OPERATING SPRING	300 Series SS
13	CALIBRATION STEM	300 Series SS
14	CAPNUT SEAL	See note 1

SPECIFICATIONS

Size (NPTF)	W		X		Y1		Y2		Z		Weight Lb Kg	Cv	Maximum Pressure	Maximum Temperature	Body Rating
	in	mm	in	mm	in	mm	in	mm	in	mm					
1/4" & 1/2"	2.62	67	1.31	33	3.12	79	2.38	60	4.90	124	2.5 1.14	2.0/2.7	350 PSIG (24 BAR)	250°F (121°C)	A.N.S.I. 300 Class
1"	4.50	114	2.25	57	3.25	83	3.25	83	6.75	171	5 2.27	10.0			A.N.S.I. 250 Class

TO ORDER SPECIFY:

Part Number	Description
352-00X000-XXX	1/4" M/D Valve - 316 S/S
353-00X000-XXX	1/2" M/D Valve - 316 S/S
356-00X000-XXX	1" M/D Valve - Bronze
356-01X000-XXX	1" M/D Valve - 303 S/S
356-02X000-XXX	1" M/D Valve - 316 S/S - Special Order Only



NOTES:

- Seal material compatibility "X" available (replace X portion of part number with number below)
 - 0- Buna-N: for air (to 250°F), water, fuel, oil, gas and petroleum-based hydraulic oils.
 - 1- Viton: for air (to 450°F), fuel, oil, gas and petroleum-based hydraulic oils.
 - 2- EPDM: for air (to 300°F), water, steam, ketones and synthetic hydraulic oils
 - 3- Fluorosilicone: for air (to 400°F), aerospace industry petroleum oils / fuels and diester-based lubricants.
 - Standard set point temperatures "XXX" available: 035F, 045F, 050F, 060F, 070F, 085F, 090F, 100F, 105F, 110F, 120F, 135F, 147F (+/-8°F), 152 (+/-8°F), 160F, 170F, 190F, 200F, 205F, 210F.
- Note: Unless noted, all set points listed have a +/-5°F tolerance range. During operation, the valve will modulate the Cold side (C port) closed at 5°F below the set point and the Hot side (B port) closed at 5°F above the set point.

Therm-Omega-Tech, Inc. reserves the right to change the design and specifications without notice



THERM-OMEGA-TECH, INC.

353 Ivyland Road, Warminster, PA 18974-2205
Phone: 215-674-9992 Fax: 215-674-8594

CALL THE VALVE GURU TOLL FREE

1-877-FRZ-VALVE (379-8258)

Visit our internet site at: <http://www.thermomegatech.com> email: valves@thermomegatech.com