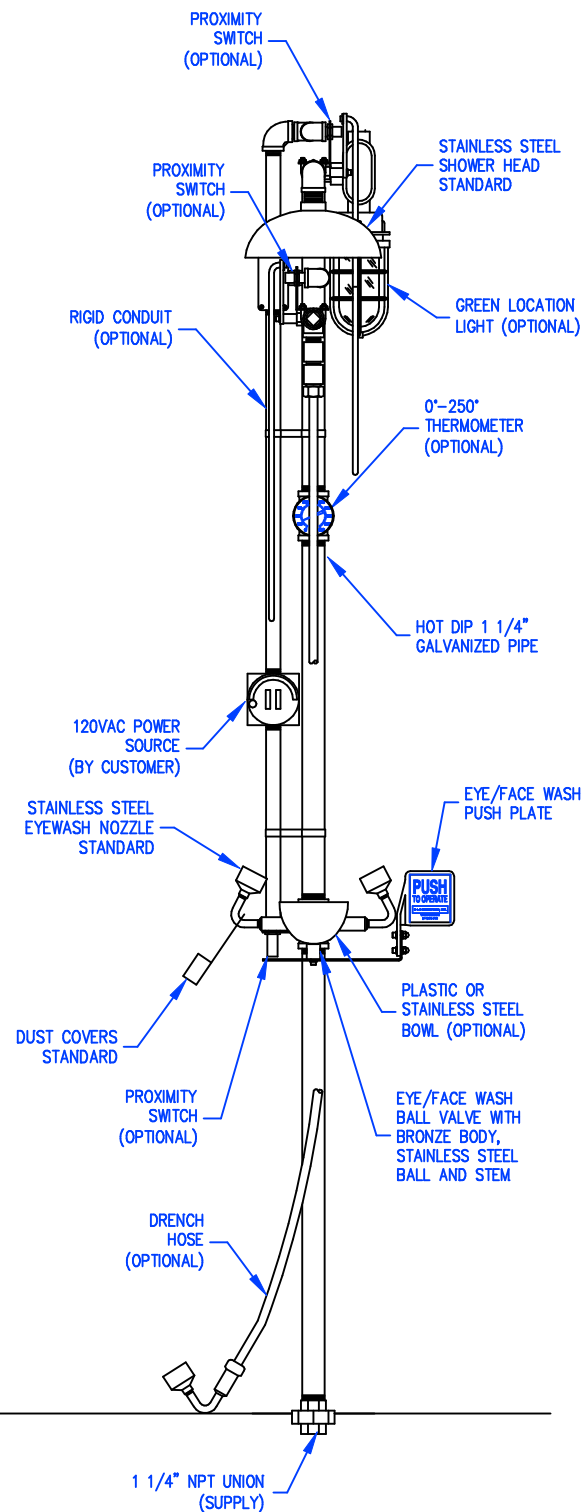


SIDE VIEW

POWER CONDUIT NOT SHOWN
IN THIS VIEW FOR CLARITY

**TWO YEAR WARRANTY
FULLY ASSEMBLED
READY TO INSTALL**



FRONT VIEW

PHONE (417) 642-5452 • FAX (417) 642-5451

B-L-S INDUSTRIES, INC.
Waco, Missouri



**EMERGENCY DRENCH SHOWER & EYE WASH
ES-1 BNH BOTTOM SUPPLY**

TYPICAL INSTALLATION SN S931

ES1BNH
DRAWN BY: JT
DATE: 07/11/97